



---

# Tri-fecta & Trio Parts Book

---

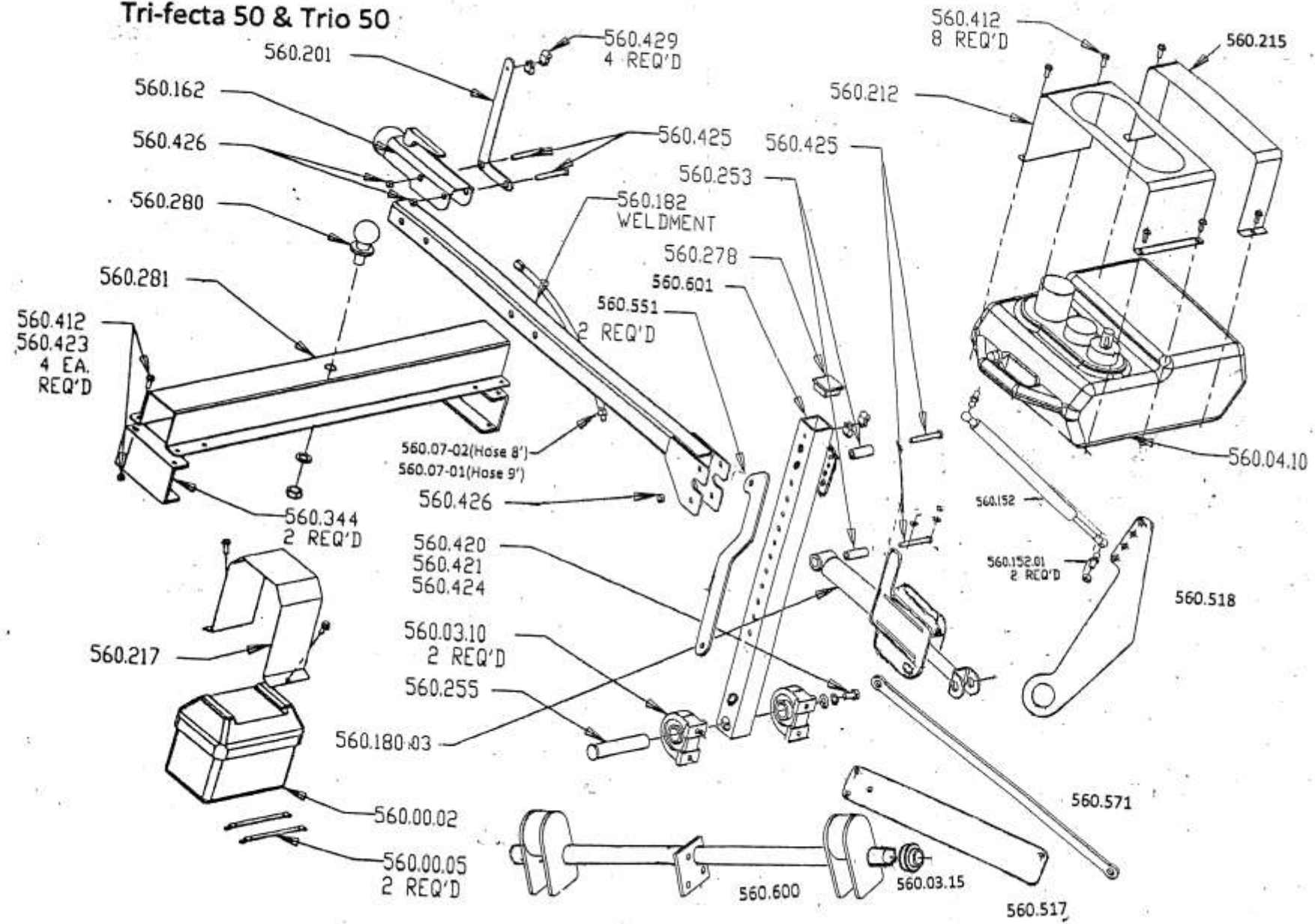
2011 and forward

---

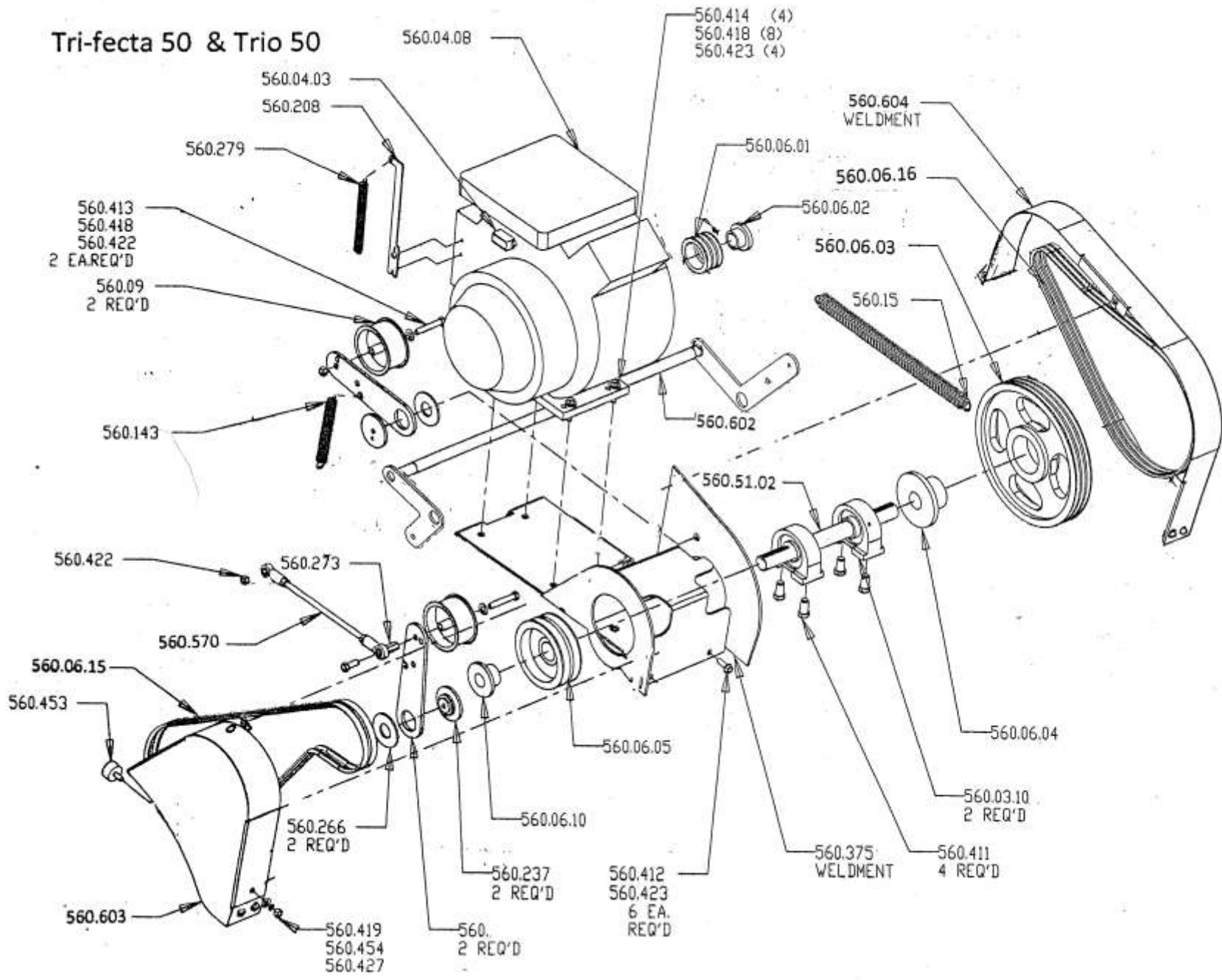
---



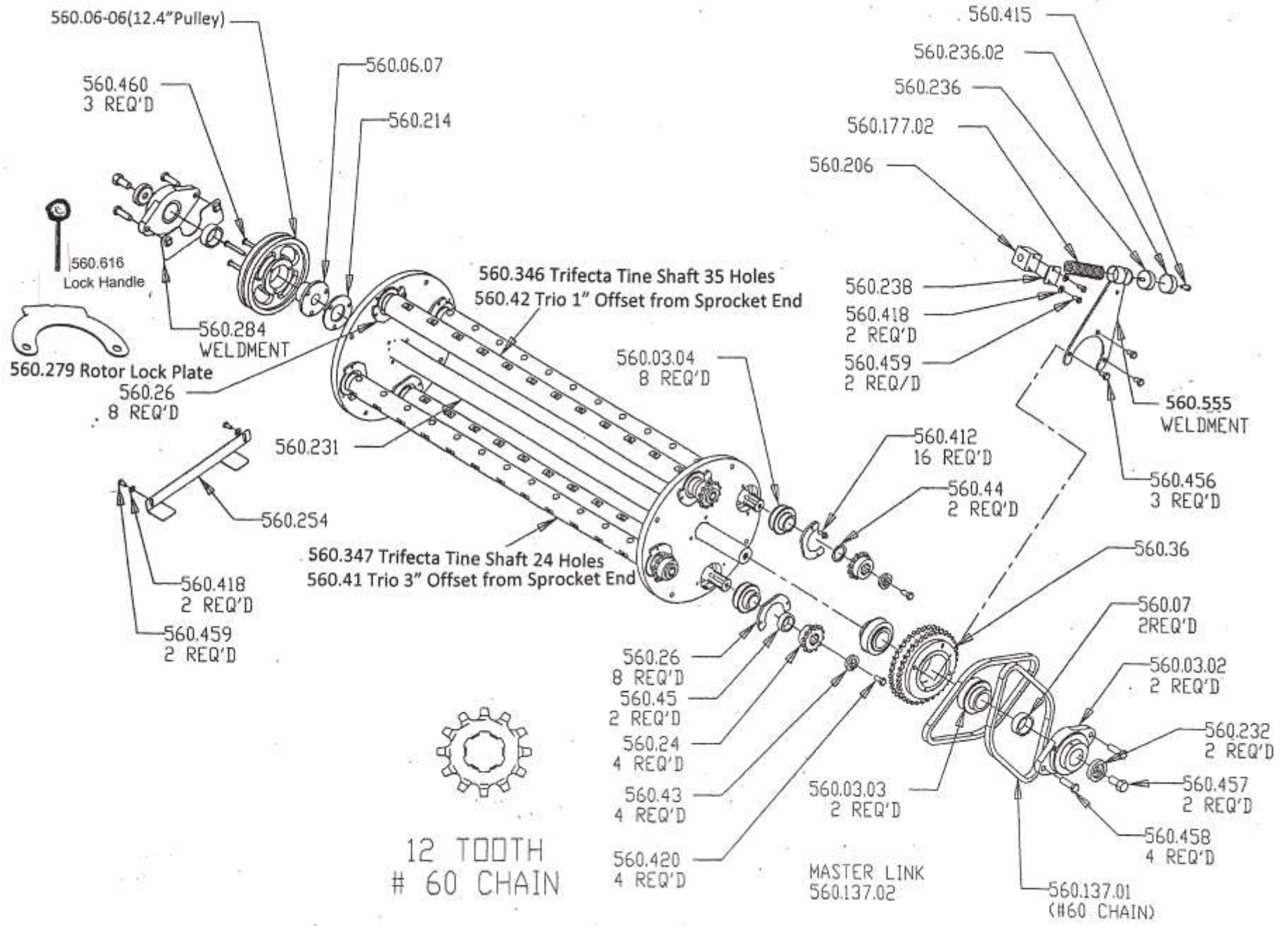
# Tri-fecta 50 & Trio 50



# Tri-fecta 50 & Trio 50

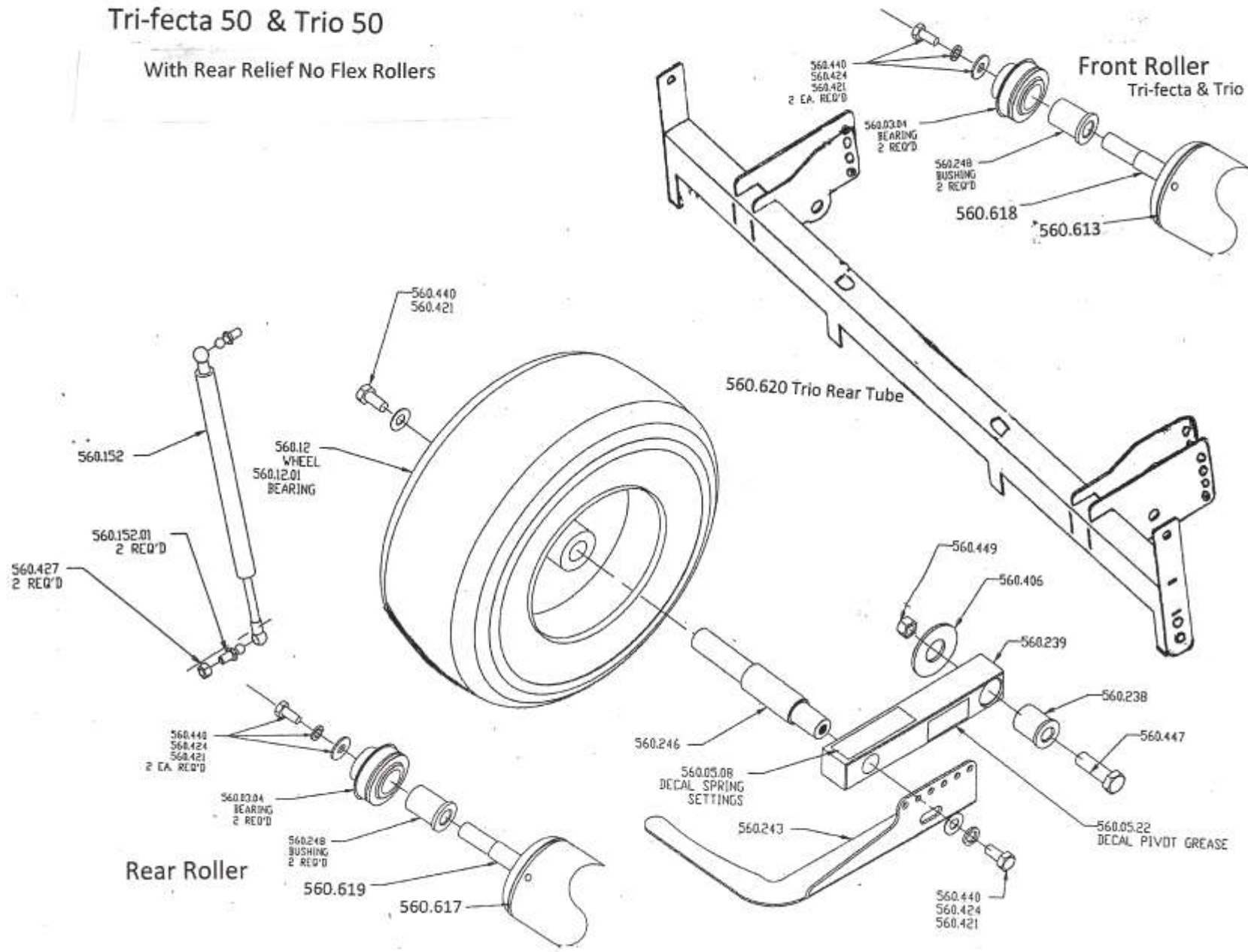


# Tri-fecta 50 & Trio 50



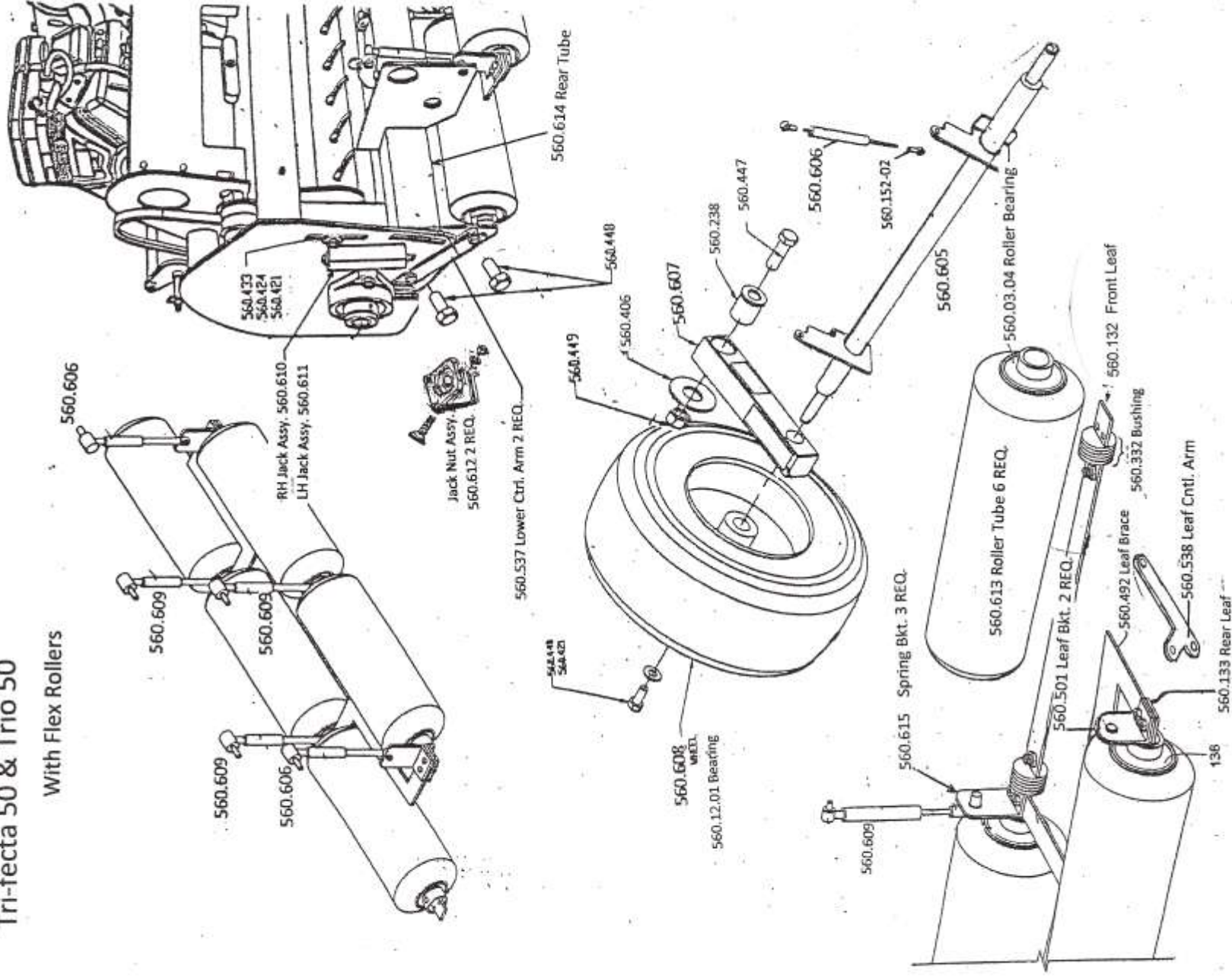
# Tri-fecta 50 & Trio 50

With Rear Relief No Flex Rollers



# Tri-fecta 50 & Trio 50

With Flex Rollers

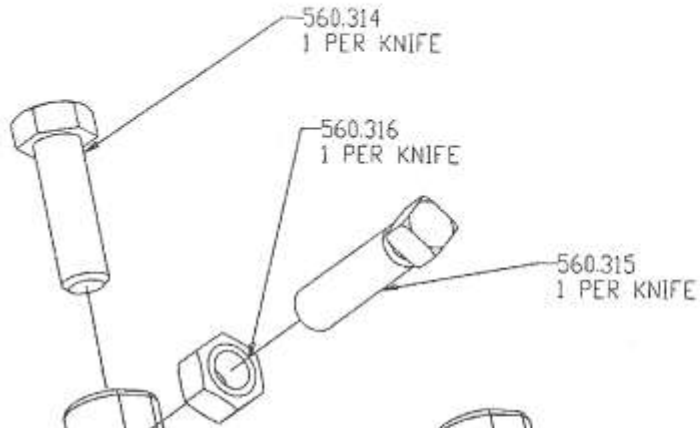


KNIFE SELECTION

Shatter & Coring

Tri - Fecta - 94 Required

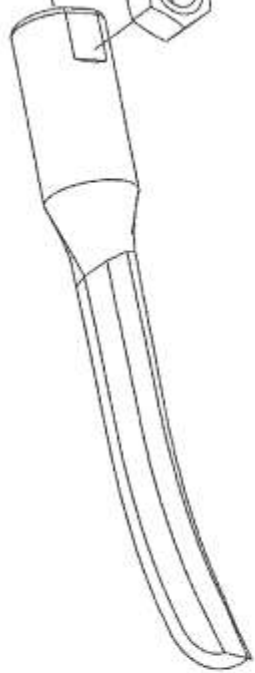
Trio - 48 Required



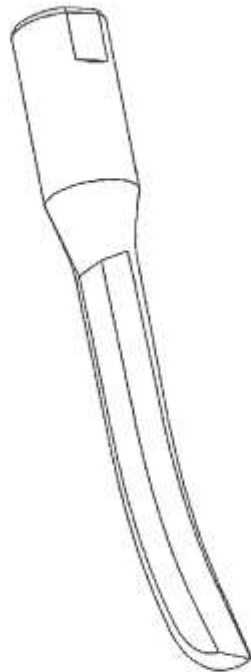
560.314  
1 PER KNIFE

560.316  
1 PER KNIFE

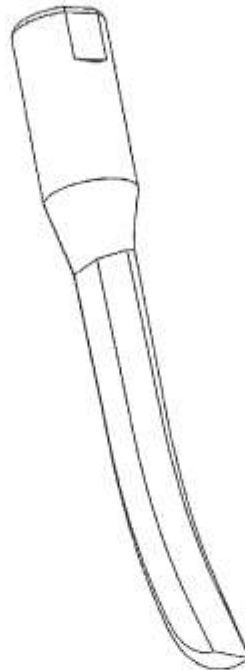
560.315  
1 PER KNIFE



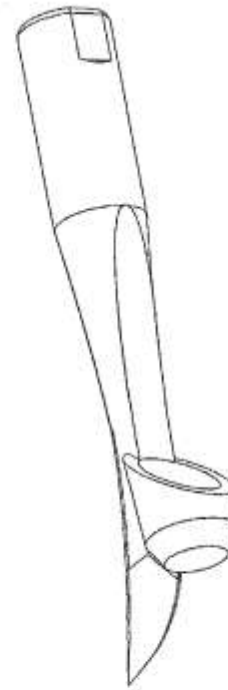
560.317  
1/8" THICK  
SHATTER KNIFE  
(3.5 MM)



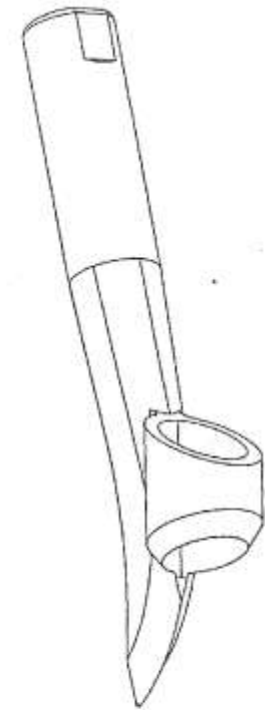
560.319  
1/4" THICK  
SHATTER KNIFE  
(7 MM)



560.320  
3/8" THICK  
SHATTER KNIFE  
(10 MM)



560.321  
1/2" I.D.  
CORING KNIFE  
(13 MM)



560.322  
3/4" I.D.  
CORING KNIFE  
(19 MM)